

2022



Telephone: 86 - 571 - 8819 4898

Mobile: 0086 13906508694

Address: Building 34th, Shunfeng Road NO.536, Tangxi Town,
Yuhang District, Hangzhou City, Zhejiang Province, China

Email: sales@kafan-finishing.com

Website: www.kafan-finishing.com
www.colosandblasting.com



**WORLDWIDE PARTNER IN SANDBLASTING
EQUIPMENT & TECHNOLOGY**

Hangzhou Kafan Machinery & Equipment Co., Ltd



ABOUT KAFAN



We are a professional manufacturer of surface finishing machinery.

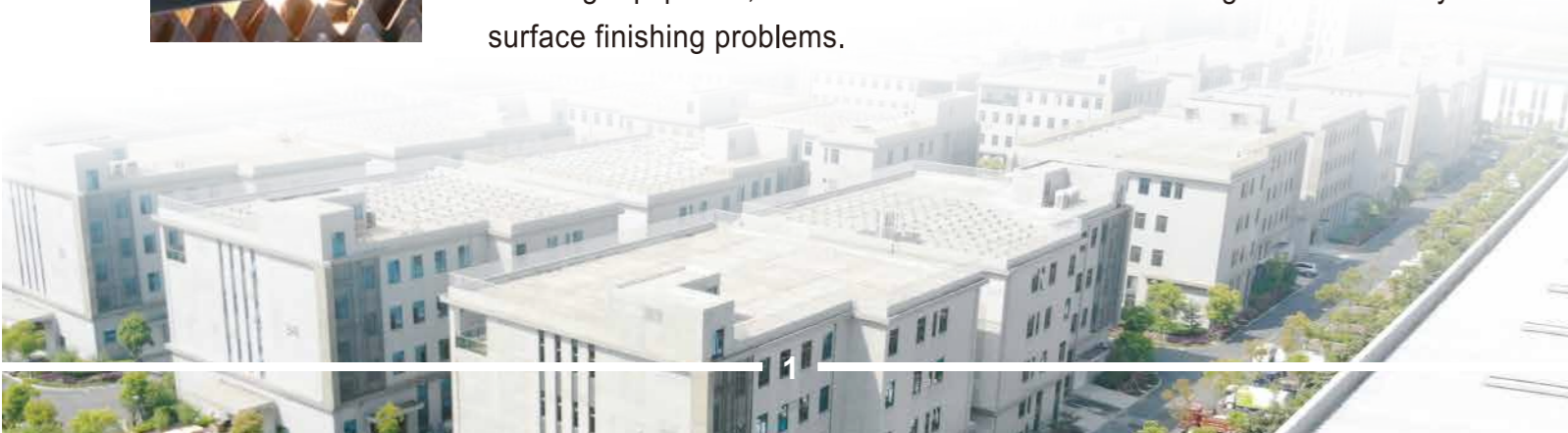


Kafan, is a brand under the COLO group specializing in sandblasting equipment and mass finishing equipment. We have worked on worldwide market for 10 years, because of the superior technology, quality, service, we've exported into more than 100 countries, establishing long term business with distributors in US, Mexico, Russia, Poland, UK, Germany, South Africa, Vietnam, Thailand, etc.



Located in Hangzhou, China, we own a manufacturing base of 3600 square meter, around 100 employees and 24 sets production equipment, dividing into technical department, sales department, after-sale department, production department, QC department, manage and finance department, etc.

As a fast growing company in supplying sandblasting equipment and mass finishing equipment, we devoted all ourselves to offering solution for any surface finishing problems.



Single cabinet sandblasting machine

Suitable for surface treatment of all products of metal, plastic and glass ect ,removing oxide skin, residues burrs and scratches.

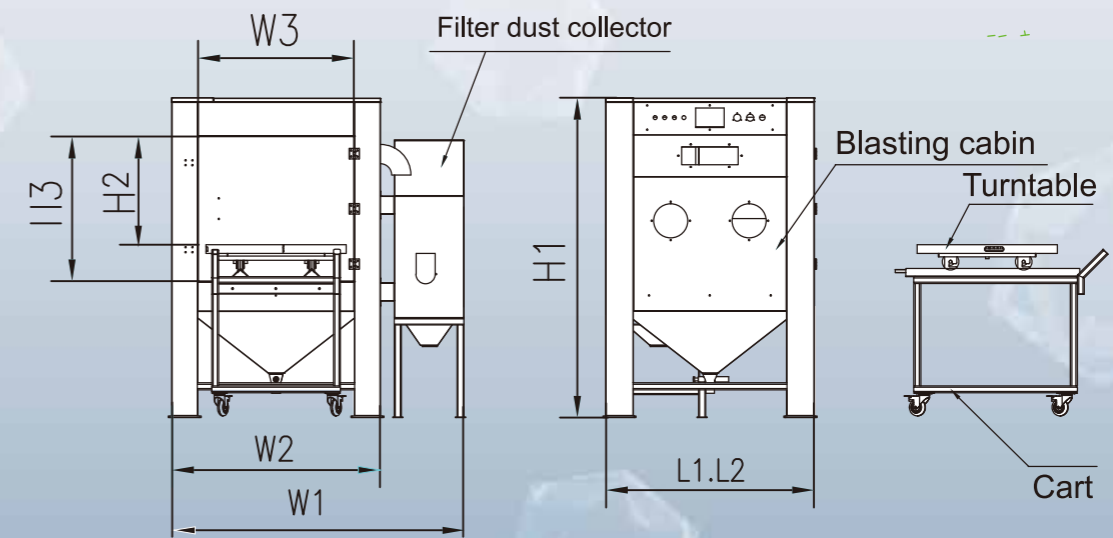


Cyclone, turntable and cart are available.



Details:

- Built-in dust collector to keep your sandblasting area free of dust particles.
- Foot pedal to control flow of abrasives from sandblasting gun
- Air pressure regulator powerful enough to propel light or weight abrasive, such as glass beads and garnet.
- Turntables and loading tracks with cart are available for efficiency improvements in loading heavy parts and blasting.



Model	Working Dimensions L2*W2*H2(mm)	Overall Dimensions L1*W1*H1(mm)	Opening Size W3*H3(mm)	Turntable Dimensions (optional)	Loading Weight (kgs)
KF-6050	600*500*650	600*980*1340	430*470		100
KF-9080	900*800*800	900*1280*1640	430*670		100
KF-1010	1000*1000*800	1000*1480*1840	630*770		150
KF-1212	1200*1200*800	1200*1680*1840	830*770		200
KF-9080FTA	900*800*800	900*1280*1640	430*670	Φ600mm	100
KF-9080FA	900*800*800	900*1280*1640	430*670	Φ600mm	100
KF-1010FTA	1000*1000*800	1000*1480*1840	630*770	Φ700mm	150
KF-1010FA	1000*1000*800	1000*1480*1840	630*770	Φ700mm	150
KF-1212FTA	1200*1200*800	1200*1680*1840	830*770	Φ800mm	200
KF-1212FA	1200*1200*800	1200*1680*1840	830*770	Φ800mm	200

Remark:

- Cyclone, Turntable and cart are optional
- FTA-With turntable and cart
- FA-Only turntable without cart

Application:

KF manual blasting cabinet ideal for removing scale, heavy rust from automotive parts, clean up rusty tools. Etch glass or any other special application.

Multi station sandblasting cabinet

This sand blasting machine is suitable for the workpiece of relative large size, designed to be 2-3 worker at the same time operation, energy saving, also improve the work efficiency



	Double Station	Three Station
Inner workszie	2000*1000*850	2500*1200*1200
Power supply	220V 50HZ (or customized)	220V 50HZ (or customized)
Lighting	18w fluorescent*4	18w fluorescent*6
Number of guns	2pcs (aluminum alloy with boron carbide nozzle)	3pcs (aluminum alloy with boron carbide nozzle)
Compressed air supply	dry and clean compressed air with pressure at 2-8 bar(kg/cm2) and flow of 2m3/min(2 cubic)	dry and clean compressed air with pressure at 2-8 bar (kg/cm2) and flow of 3m3/min(3 cubic)
Max loading	200kgs (or up to 500kgs as request but different cost)	300kgs (or up to -500kgs as request but different cost)

Glass sandblasting machine



KF-1090B

- The glass etching cabinet designed specifically for glass etcher who want to be able to etch glass or any other materials that is as small as a coffee mug or as large as a door or window.
- The glass etcher can slide the glass through and stop to blast section by section. Two doors on the left and right sides of cabinet hinge open for maximum access to interior of cabinet.job.
- The machine can blast anything from stemware to large glass panels or granite. Kafan can provide any different design that is suitable for your job.

Dimensions:

3400 L* 1360W*2100mm H

Work room size:

1000L * 800W * 1300mm H

Dust fan: 0.37KW 220V 50HZ

Lighting:

18w fluorescent lamp 1 only

Number of guns:

1PC (aluminum alloy with tungsten steel nozzle)

Shell:

2.0mm cold-rolled steel welded

Perspective: 1 frame

Sand bucket: 1

Foot switch: 1

Workbench openings:

6, total of 6 pairs of gloves

Door: front

Maximum workpiece size:

Width: 1300 length: 4000mm



Slotted

The cabinet is slotted at left and right side to allow any work piece that larger than the cabinet



Roller

Helps to slide work piece through the cabinet with ease.



Support Wings

Heavy duty steel arms with rollers extended out both sides of cabinet to support long panels.



Side Doors

Using both side doors for loading and unloading small work pieces.



Arm Holes

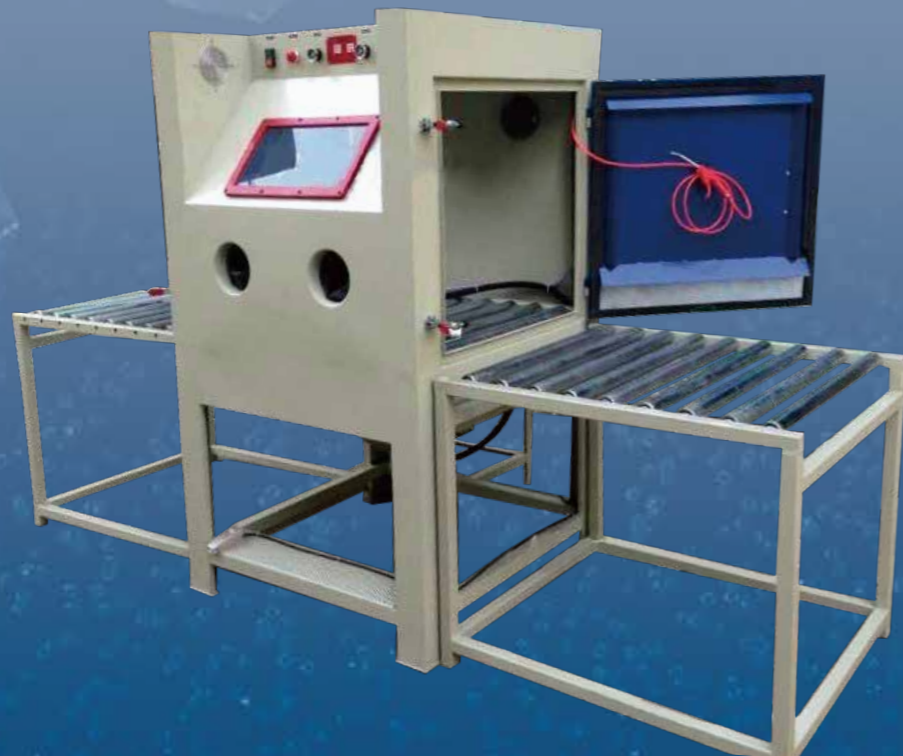
Three set of arm holes with gloves give you more comfortable in blasting process.



Dust Collector

Built-in dust collector ensures that only clean and dust free air is discharged to the atmosphere.

Rolling stone sandblasting machine



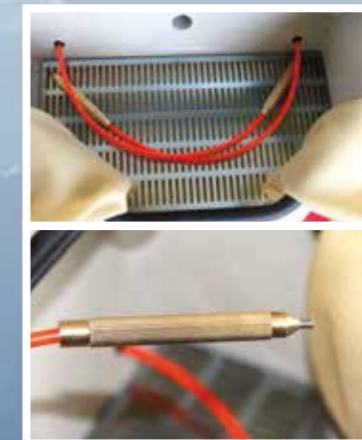
Desktop sandblasting machine



KF-4234T

- **Outer dimension:**
L500mm * W430mm * H560mm
- **Working window size :**
L400mm * W300mm * H420mm
- **Dust blower:** 1 pcs
- **Lighting:**
Explosion-proof energy-saving lamps 1 pcs
- **Dust bag:** 1 pcs
- **Sandblasting gun nozzle with boron carbide:**
1 sets
- **Sandblasting hose :** 1 pcs

Two pen sandblaster



KF-4326T

Microblaster standard fitted with two microblasting tanks for aluminum oxide or micro glassbeads for final polishing.

The working chamber provides for a collection compartment for disposable abrasive products, separated by a filtering grate. The front large viewing section is fully transparent allowing for greater visibility inside the blasting chamber.

This model offers the most convenient quality/price ratio.

- **Overall dimensions:** 410x385x415mm
- **Working area:** L380*W420*H290mm

Automatic door, automatic turntable and automatic guns



3 pcs automatic blast gun and 1 manual blast gun

- **Working chamber size:** 1000 * 1000 * 800mm
- **Machine lighting:** 110-220V 50-60HZ
- **Power supply:** 3phases ,voltage as required
- **Compressed air source:** 5-7bar (kg / cm²)
- **Dust removal method:** filter dust, the use of pneumatic automatic / vibration cleaning
- **Machine weight:** 380kg



Manual door, automatic turntable and automatic guns



Application & Feature

Manual or automatic model switched by one keyboard, Automatic rotation, Automatic turntable, Multiple guns selection, Intelligent board, Filter element filtration, Pulse dust removal .

- Mode switched by one keyboard
- Close automatic gun swing
- Close automatic turntable rotation
- Automatic time selection mode
- Selection of multiple sandblasting modes
- Environmental protection and energy - saving
- Automatic dust-removing machine
- Wide application of multiple workpiece
- Pulse filter dust-removing machine

Options of various turntables or loading tools for sandblasting process



For wide products

A



For heavy products

B



For bottles or cylinder

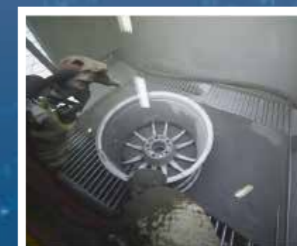
C



For small part

D

Various sand blasting application



Manual door, automatic turntable and automatic guns



Single cabinet wet blasting machine



Advantages

- Dust free, deep cleaning without imbedded abrasive
- Combines steps; washing and blasting
- Warping reduced/eliminated
- Closed loop filtration/rinsing is standard on all systems
- Wide range of cosmetic finish options; matt to luster

Applications

This machine is suitable for sub-photoelectric processing, light decoration processing, rubber and plastic mold cleaning. It is applied in sandblasting of various machines or spare parts: stainless steel products, aluminum products, gold and silver jewelry, crystal glass products, electrical parts, metal products, etc.

Wet sand blasting machine

- This sand blasting machine adopts sand mixed with water for sandblasting, making more delicate surface, less abrasive consumption, whose gun can be fixed as well as hand operation, light and flexible, easy to operate.
- The dry sand blasting machine can be installed a sand-jet pump, designed and manufactured as the same type of wet sand blasting machine
- This sand blasting machine can be automatic or semi-automatic based on customer's requirements.

Model	Cabinet size (L*W*H mm)	Out size (L*W*H mm)
KF-1010A-1A/2A	1000*1000*850	1150*1550*1880
KF-1010A-3A/4A	1000*1000*850	1150*1550*1880
KF-1010A-4A with auto door	1000*1000*850	1250*1600*1880
KF-1212A-1A/2A	1200*1200*850	1350*1750*1950
KF-1212A-3A /4A	1200*1200*850	1550*1800*1950

1A-One piece auto gun 2A-Two piece auto gun 3A-Three piece auto gun 4A-Four piece auto gun



Sandblasting gun with aluminum jacket



Material: Boron carbide
Diameter: 6/8/10mm
Length: 35mm



Water special spray gun



Wet nozzle



Diameter 25*32mm

Single cabinet wet blasting machine

Model	KF-1212W	KF-1010W	KF-9080W	KF-7070W
Working size(mm)	1200*1200*800	1000*1000*850	900*800*800	700*700*800
Weight	150kgs	150kgs	150kgs	250kg
Loading	80-120kg	50-80kg	30-50kg	150kg
Packing size (mm)	1300*1700*2000	1100*1500*2000	1000*1200*2000	800*1100*1900
Motor	1.5KW	1.5KW	1.5KW	1.5KW



Double cabinet wet blasting machine



Model	Cabinet inner worksize (L*W*H mm)	Outer size (L*W*H mm)
KF-1610W-2A	1600*1000*800	1700*1500*2000
KF-2680W	2000*680*800	2100*1100*2000

Cabin material:	stainless steel
Motor power:	1.5KW*2
Air required:	flow 0.5-1.1m3/min
Blast gun:	2 wet blasting gun, with 2 boron carbide nozzle(8mm)
Air pressure:	0.2-0.8Mbar
Volume of abrasive & water:	150L
Suitable abrasive:	glass beads(for aluminum , stainless steel) Brown aluminum oxide(Steel or other) 16#-320#
Feed abrasive:	15-20kgs
Abrasive:	water =1:3
Voltage:	220V/380V 3phase
Max loading:	150kgs (also can up to 500kgs as per request but different cost)



Single cabinet high pressure blasting machine

Technical parameters

- **Dimension size:** 900*1350(including dust box)*1900(L*W*H mm)
- **Working chamber size:** 900*800*800(L*W*H mm)
- **Dust box size:** 430*430*1600(L*W*H mm)
- **Dusting fan power:** 0.55kw
- **Dust removal method:** bag pulse dust
- **Lighting:** LED 18W lamp 1 pcs
- **Spray gun:** high-pressure spray gun-1pcs
- **Nozzle:** boron carbide nozzle-1pcs
- **Shell:** 2.0mm cold-rolled steel plate welded
- **Observation window:** 1230* 420(mm)
- **Pressure tank:** diameter 350mm *high 450mm
- **Pressure gauge:** 2 pieces
- **Regulator:** 1 pcs
- **Dust valve:** 1 pcs
- **Working door size:** 630mm * 630mm
- **Air pressure requirements:** 5 ~ 8bar (kg / cm2) must be greater than 2 cubic meters of air compressor supporting the use of



Model	Working size	Ourter size	Loading
KF-9080P	900*800*800 mm	1230*900*2050mm	80-100KG
KF-1010P	1000*1000*800 mm	1450*1000*2050mm	80-100KG
KF-1212P	1200*1200*800 mm	1650*1200*2100mm	100-120KG

High pressure blasting machine with cyclone



Features:

- The machine uses cyclone separation automatic recovery of sand material, suitable for 30 # -180 # sand material used;
- Sandblasting efficiency, impact point deep, with instantaneous control system;
- Dust and sand separation, saving abrasive, environmental protection effect is good;

Scope of application:

For small and medium-sized, small and medium-sized general parts and high hardness of the workpiece rapid blasting.

Such as: clean cast parts, heat treatment pieces, burrs, residues, you can light decorated its surface, pre-plating;

Especially for sprayed steel grit, glass sand; do not recommend the use of steel balls, grit and other large intensity of the sandblasting material

High Pressure blasting machine working principle:

This machine use abrasive as the working medium with compressed air as the driving forces ,abrasive and compressed air in the pressure tank pressured , and after the acceleration of the the sand valve the abasive ejector to sandblasting gun to inject into the surface of the workpiece to achieve the desired purpose of blasting.

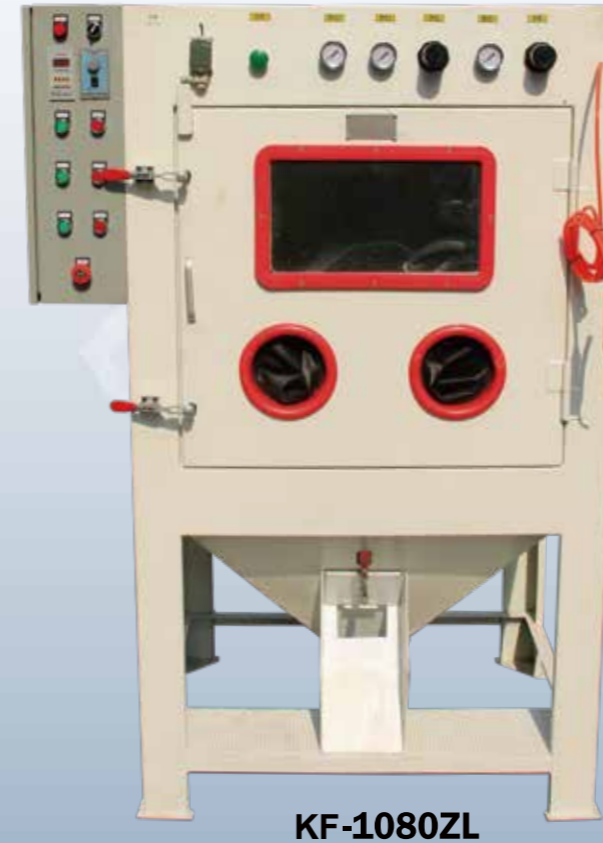
Multi-station high pressure blasting cabinet



Model	Cabinet size (L*W*H mm)	Out size (L*W*H mm)
KF -2010D	2000*1000*850	2100*1500*2000
KF -2810D	2800*1000*750	2900*1500*1900
KF -4411D	4400*1100*850	4500*1600*2000



Automatic drum sandblast cabinet



KF-1080ZL

This machine is suitable for automatic blasting small and medium-sized workpieces also can be manual blasting, such as screws, drill bits, buttons ect
Feature:

- The blasting speed of the machine is times of the other models
- Automatic control, automatic blasting sand with time, position setting functions
- The drum turning speed with frequency control, smooth operation, it can meet different processing needs the gun with swing mechanism to increase the coverage and efficiency of blasting sand.

Technical Parameters

- **Mainframe size:** 1200 * 1250 * 1800mm
- **Working chamber size:** 1000 * 800 * 800mm
- **Machine lighting:** 220V 50HZ
- **Power supply:** 380V 50HZ
- **Separator air flow:** 380V 50HZ 1100W
- **Compressed air source:** D5-7bar (kg / cm²)
- **Dust removal method:** bag dust, the use of pneumatic automatic / vibration cleaning
- **Machine weight:** 380Kg
- **Roller bearing:** 20Kg
- **Roller size:** 450 * 300mm
- **Roller motor:** 380V / 50HZ / 375W
- **Drum speed:** 8 r / min



The size of the drum and the number of spray guns can be set according to customer requirements.

Crawler automatic sandblasting machine



Product Features:

- The main body of high wear-resistant steel plate organic synthesis.
- The use of high wear-resistant track formation suppose the roller sandblasting treatment is the track when the belt is rotated 360 degrees.
- And can work on the cavity, dead ends for sandblasting processing, track reversal for workpiece discharge.
- The machine gun swinging around the gun spray angle and the distance can be adjusted, the product can achieve the perfect sandblasting effect.

Model	Dust collector dimensions(mm)	Outside size(mm)	Plate diameter dimensions	Productivity (T/H)	Load capacity (kg)	Power (kw)	Voltage (V,HZ)
KF-A40	700*700*2200	2500*1300*3000	500mm	0.2-0.5	≤100	3.5	380/220V 50HZ
KF-A100	800*800*2500	3681*1650*5800	600mm	0.5-1.0	≤300	5.6	

Suitable for workpiece types:

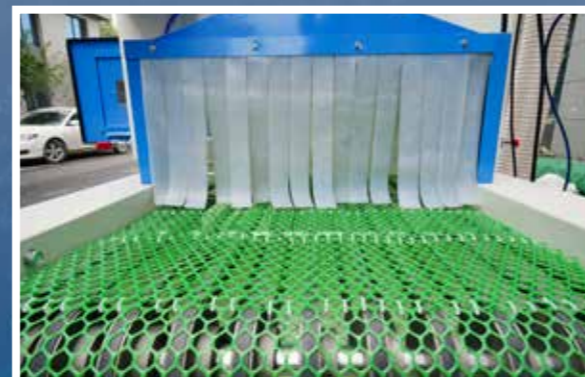
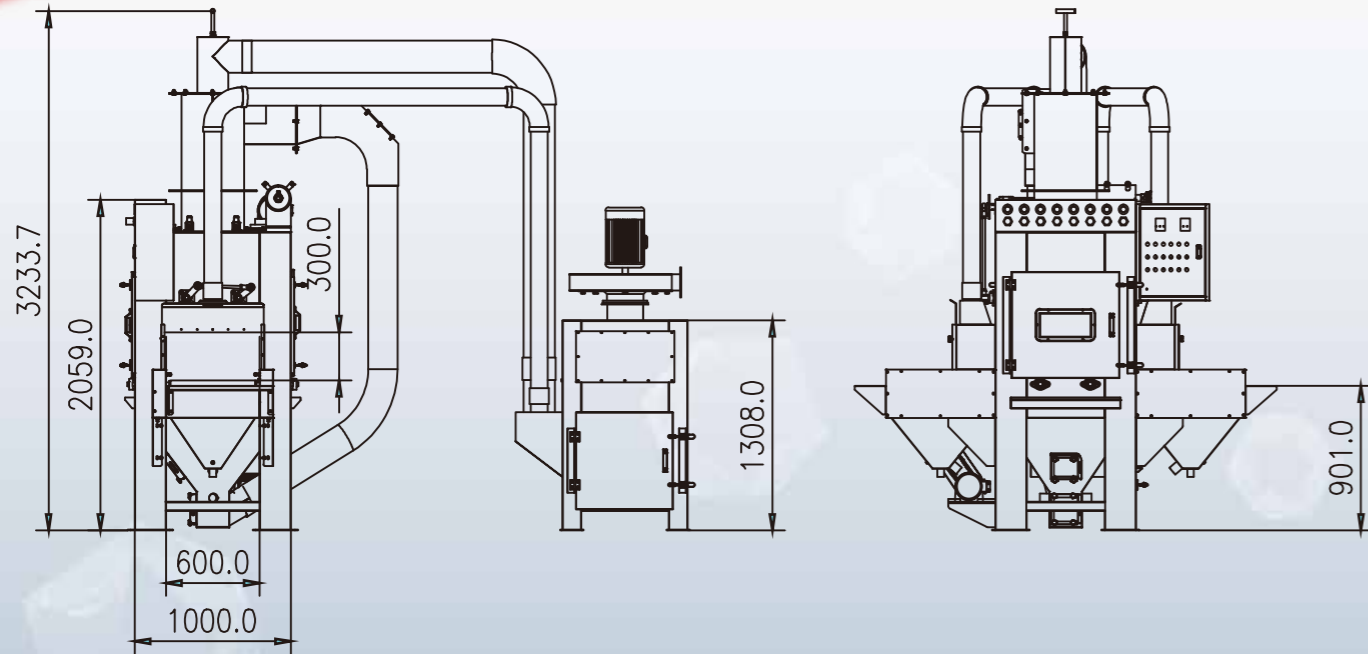
The machine suitable for small batches, small and medium hardness workpiece to high speed blasting, like heat treatment parts, cleaning casting, glitch residue light decoration etc surface treatment, especially suitable for blasting head screwdriver, screws and socket.

And the maximum weight of the workpieces can not exceed 25KG.

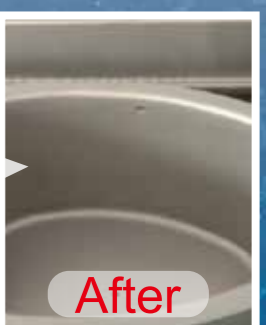
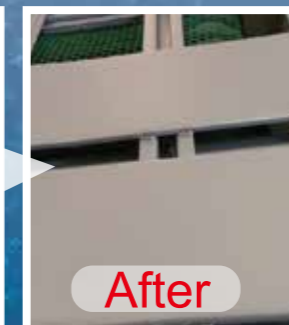
Continuous belt sandblasting machine



Model No	KF -2706-8A	KF-3208-10A	KF-3810-12A	KF -4615-16A
Working Space (L*W*H)	900*1000*922	1100*1200*1000	1100*1400*1000	1500*1900*1000
Through size(W*H) mm	600 X 300	800 X 300	1000 X 350	1500 X 350
Overall Size(mm)(L*W*H)	2700*1000*2059	3200*1200*2139	3800*1400*2139	4600*1900*2139
Dust collector size	800*800*2000	1200*1300*2400	1200*1300*2400	1200*1300*2400
Gun quantity	8pcs	10pcs	12pcs	16pcs



Model no	KF-2706-8A
Working space (L*W*H)	900*1000*922
Through size(W*H) mm	600 X 300
Overall size(mm) (L*W*H)	2700*1000*2059
Dust collector size	800*800*2000
Filter unit qty	4pcs
Fan motor of dust collector	5.5KW 380V 50HZ
Load of conveyor	200KGS
Total power	7KW
Total weight	900kgs
Drive of conveyor	0.75KW speed adjustable
Gun clamp	Automatic swing, speed adjustable power 0.4KW
Blast gun	8pcs, Aluminum alloy with boron carbide nozzle, each gun could control Individually
Abrasive container	3pcs(suitable for 30-320 mesh abrasive)
Compressor air requirements	35CFM/Per Gun 3-8bar(kg/cm ²)
Speed of conveyor	0-5m/min, Speed adjustable
Material of body	T3mm-6mm cold rolled steel plate



Continuous belt sandblasting machine

Double Direction Automatic Sand blasting Machine



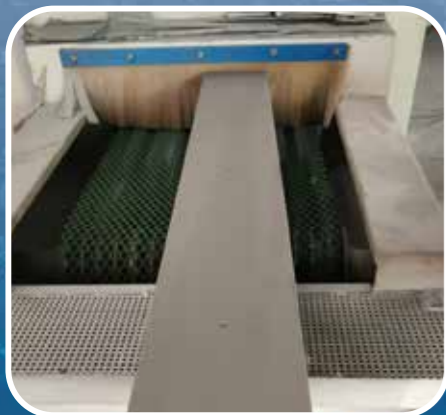
Automatic Conveyor Sand Blasting Machines PLC With Display Touch Screen



Application

Suitable for flat panel, discs, cages, profiles and other special parts of the sandblasting processing,

Such as: flat stainless steel sheet, and steel plate, glass plate, stone, non-stick pan, baking pan, toaster, Function DVD panel, notebook, computer motherboard, iron floor, decorative pieces, signs badges, communications equipment, aluminum sheet, profiles and other special parts, etc.



It can handle different kinds of workpieces, and use different sand materials or pressures or choose sandblasting distance or multiple blasting guns for sandblasting.

The conveyor belt can move in both directions, and the workpiece enters the blasting chamber from one end, and the other end comes out and then enters the blasting chamber again and transports it to the starting position through the reverse conveyor belt.



Automatic conveyor sandblasting machine

machine-double sides 360 degrees

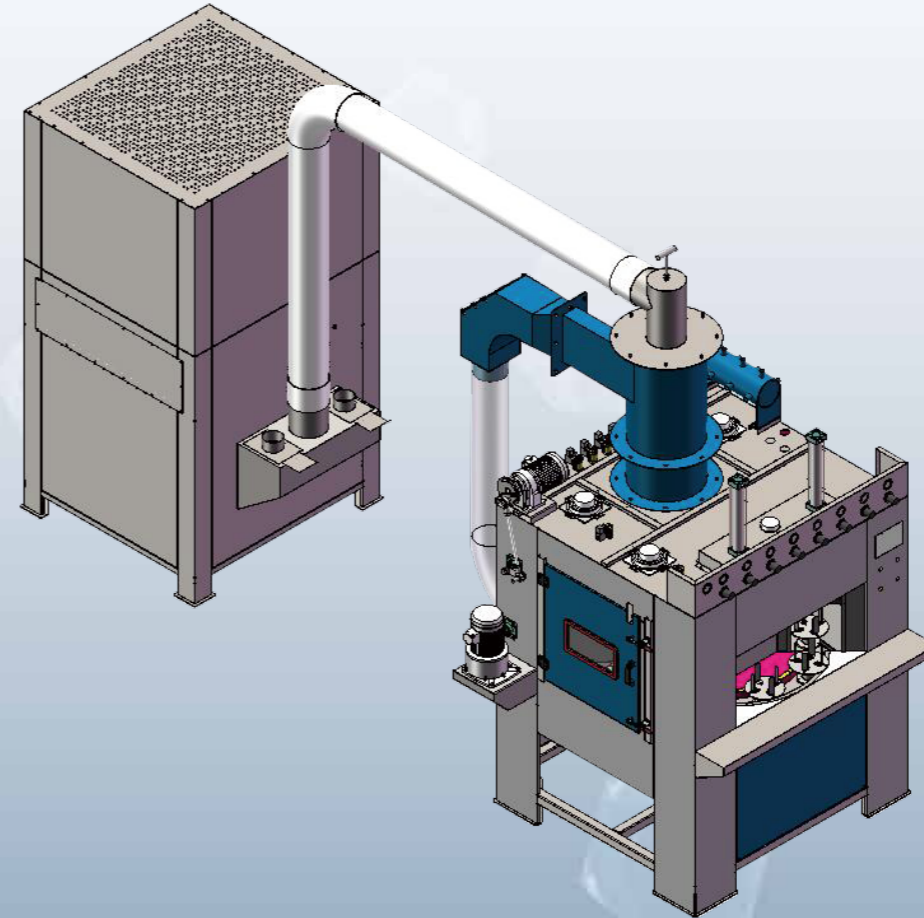


This is roller conveyor type automatic blasting machine for surface blasting of square steel, round pipe and various types of materials, which can remove the joint pattern, flow pattern and die mark on the surface of the workpiece, deburring and removing oxidation of the surface before plating or spraying.

The frequency and speed of conveying and sandblasting is adjustable.

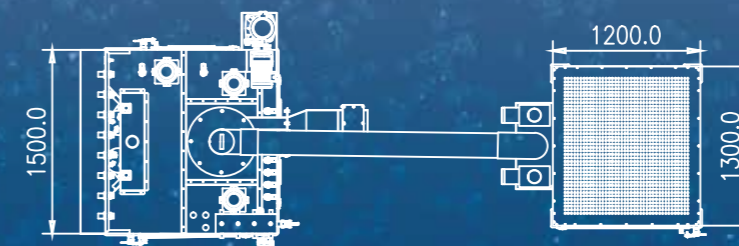
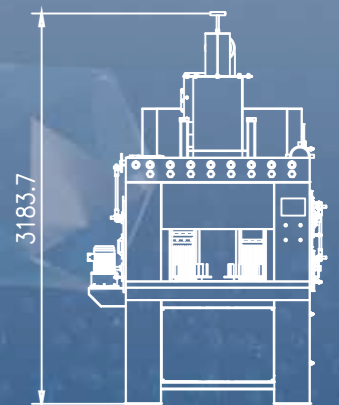
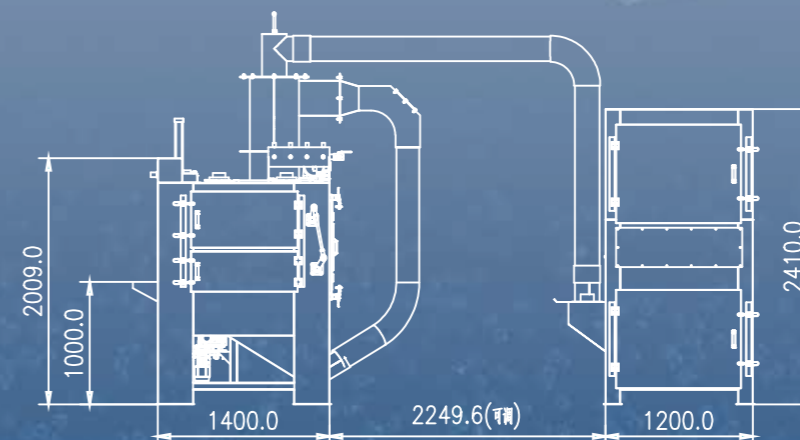
After the sheet enters the working chamber, the blasting guns perform sandblasting operations in all directions, and the processing of each surface of the workpiece is completed at one time, up and down, left and right.

Turntable type automatic sand blasting machine



Feature

- The table is driven by a gear motor with frequency converter for table speeds.
- Because of the modular system, table sizes can be fitted with six, eight, ten or twelve satellites.
- PLC controller could setting important parameters.
- Blast gun could swing or fix for blasting, swing speed adjustable.
- According to the size of the work piece, equipped special clamp, fast assemble clamp solid, high efficiency, large output.



Turntable type automatic sand blasting machine



Model No	KF-1719-12A	KF-1512-8A
Number of stations	12pcs	8pcs
Capacity per station	20kgs	20kgs
Blast gun number	12pcs	8pcs
Station diameter	150 /180 mm	150 /180 mm
Turntable diameter	1400×20mm	1000×15mm
Max. part size (diam x H)	350*450mm	250*350mm
Power supply	As required	As required
Fan motor of Dust Collector	5.5KW	5.5KW
Total Power	7KW	7KW
Dust collector size(L*W*H)mm	1400*1400*1700	1200*1200*1700
Overall diameter (L*W*H)mm	1700*1900*2350	1200*1500*2000



Pressure sand blasting pot



Pneumatic , switch control



KF-110P-W

Many models for choice:

Model	Volume (M3)	Sand loading QTY(KGS)		Outer size (MM)			Working time (minute)	Color
		Steel grit	Emery	Diameter	Height	Wall thickness		
KF-105P-M KF-105P-PC	0.15	563	192	400	1200	4.00	12	Blue-based, can be customized according to request
KF-106P-M KF-106P-PC	0.20	750	256	500	1200	5.00	18	
KF-108P-M KF-108P-PC	0.30	1125	384	600	1350	6.00	25	
KF-109P-PC KF-109P-PC-2	0.60	2250	768	800	1550	8.00	45	
KF-110P-PC KF-110P-PC-2	1.00	3750	1280	1000	1860	8.00	60	
KF-120P-PC KF-120P-PC-2	1.20	4500	1536	1200	1880	8.00	70	
KF-130P-PC KF-130P-PC-2	1.60	6000	2048	1200	2030	8.00	98	
KF-150P-PC KF-150P-PC-2	2.00	7500	2560	1500	2200	10.00	120	
KF-180P-PC KF-180P-PC-2	2.50	9375	3200	2000	2300	12.00	160	
KF-220P-PC KF-220P-PC-2	3.00	11250	3840	2000	3000	12.00	200	

Abrasive

- Type: It is recommended to use corundum abrasives, or quartz sand, glass beads, ceramic balls, steel shot and other abrasives
- Size: 16 # -120 #, steel shot is suggested to be 0.8mm or less
- Amount: If using abrasive corundum, the added amount shall not exceed 700kg (maximum abrasive volume 0.4m³) for one time

Sandblasting abrasive



White aluminum oxide



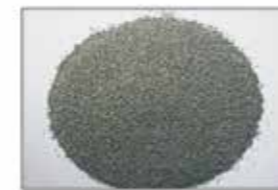
Glass bead



Stainless steel balls



Steel grit



Steel balls



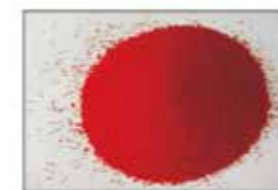
Brown aluminum oxide



Black corundum



Emery



Nylon sand



Plastic abrasive



Ceramic sand



Garnet abrasive



Oxidized sand



Silicon carbide abrasive



Corundum



Corundum



Wire cut pills



Aluminum pill



Zinc pill



Glass sand

Sandblasting abrasive

We supply full kinds of abrasive such as glass bead, ceramic sand, black corundum, brown corundum, plastic grit, black carborundum, white corundum, steel ball, metallic grit, stainless ball, stainless steel shot, aluminum shot, etc.

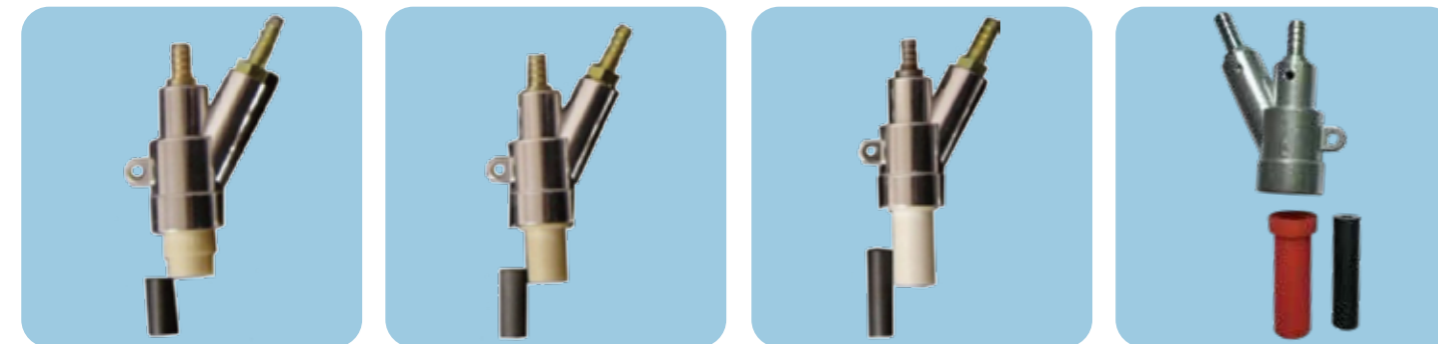
Sandblasting accessories series



Sandblasting gun A type Sandblasting gun B type Sandblasting gun C type Sandblasting gun D type Sandblasting gun E type



Boron carbide nozzle/Diameter 20mm, long 35,45,60,80 mm, diameter 6mm, 8mm, 10mm,12mm Ceramic spray nozzle Spray Nozzle Cover



8*20*35 mm Nozzle 8*20*45 mm Nozzle 8*20*60 mm Nozzle 8*20*80 mm Nozzle



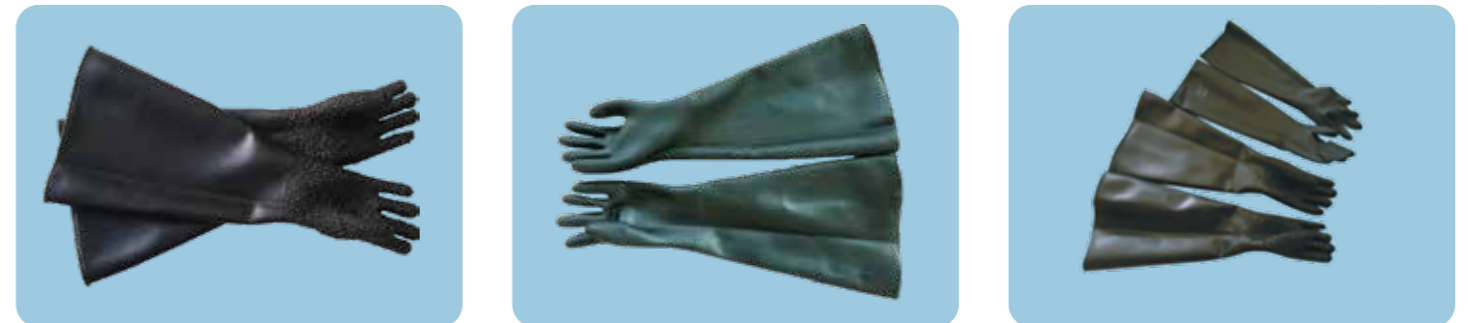
Specifications:
Inner hole 6 8 10 12 (MM)
Length 165MM
Threaded diameter of 41mm
Advantages: high wear resistance, long service life.
Uses: Suitable for all kinds of mobile sandblasting pot

Sandblasting hose
13*21、 13*23、 13*29、
13*32、 16*32、 19*32、
25*40、 32*50MM

Sandblasting accessories series



Helmet White canvas suit Sandblast canvas material with shawl helmet after ventilation trachea double glass protection users can always replace the glass canvas material



COL0-65-A Sandblast glove 65cm COL0-62-B Sandblasting Gloves



Pedal controller electromagnetic valve air filter valve 4 sub-interface



Lance core Pneumatic sand blasting gun Sandblasting cuff

Samples of sandblasting effect



Air Compressor



JP		7A	10A	15A	20A	25A	30A	40A	50A	60A
Parameter	Air flow/Pressure	0.85/0.7	1.2/0.7	1.7/0.7	2.4/0.7	3.1/0.7	3.8/0.7	5.2/0.7	6.4/0.7	8.0/0.7
	m ³ /min/Mpa	0.78/0.8	1.1/0.8	1.6/0.8	2.2/0.8	2.9/0.8	3.5/0.8	5.0/0.8	6.1/0.8	7.7/0.8
		0.65/1.0	0.95/1.0	1.4/1.0	2.0/1.0	2.2/1.0	3.2/1.0	4.3/1.0	5.7/1.0	7.0/1.0
Motor	Power(kw)	5.5	7.5	11	15	18.5	22	30	37	45
	Horsepower (HP)	7	10	15	20	25	30	40	50	60
Noise Db (A)		65±2	65±2	70±2	70±2	72±2	73±2	74±2	74±2	74±2
Exit Pipe Dia		C3/4	C3/4	C3/4	C3/4	C11/4	C11/4	C11/4	G11/2	G11/2
Weight (kg)		200	200	400	410	590	630	680	840	860
Outside size (mm)	Length	770	770	950	950	1000	1000	1000	1600	1050
	Width	650	650	800	800	1100	1100	1100	1000	1250
	Height	850	850	1130	1130	1240	1240	1240	1250	1500